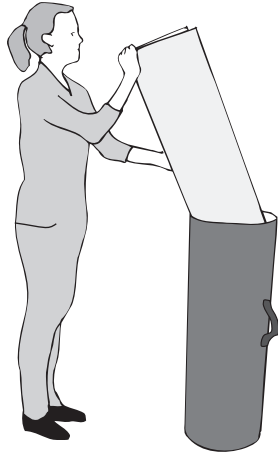


How to pack Expand LinkWall



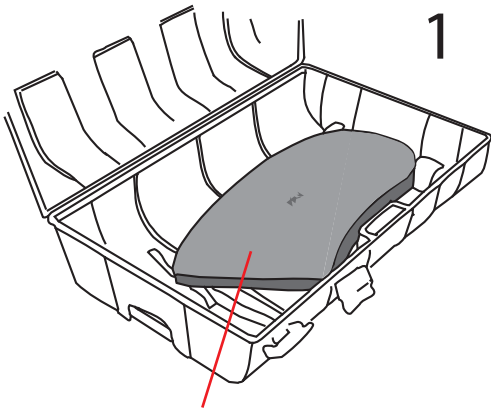
Panels



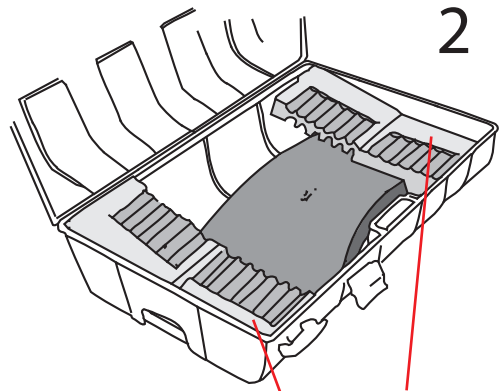
Spotlights



Magnetic bars



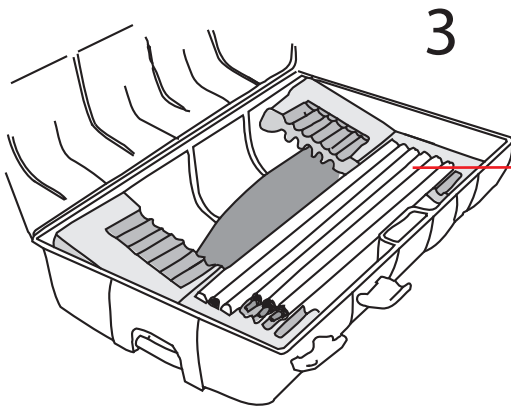
1
Start with table top (optional)
- attach straps



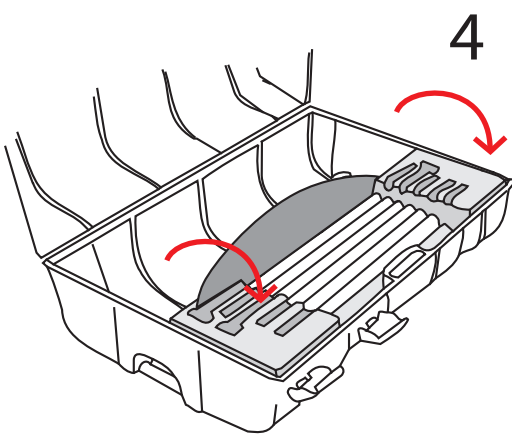
2
Place first pair of insert units

1L

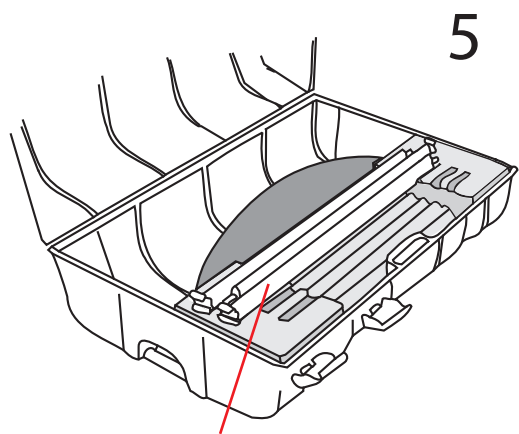
1R



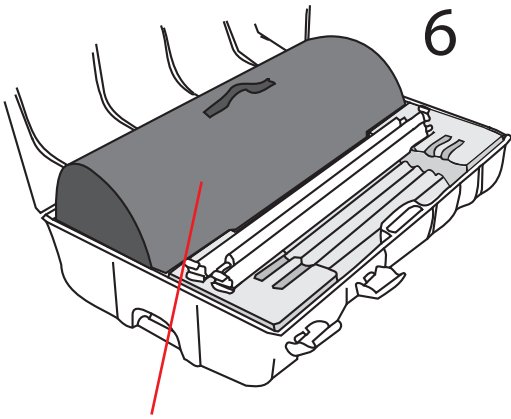
3
Arrange middle and base poles



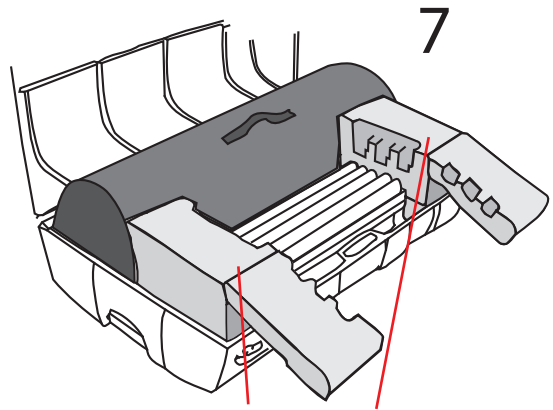
4
Close insert units...



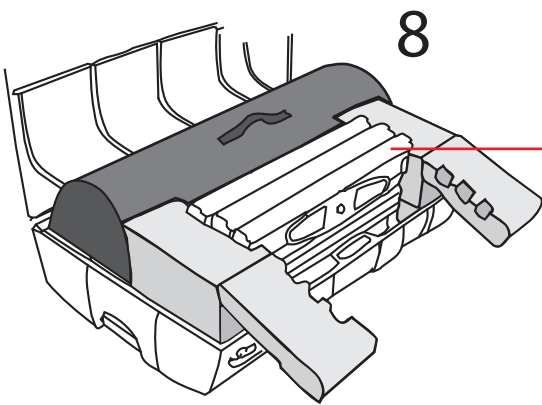
5
..and then place top poles on top



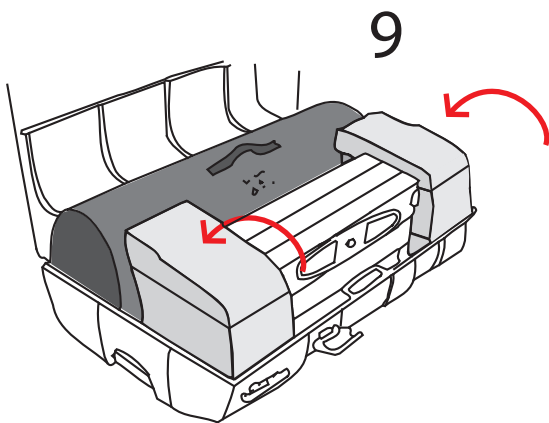
Put in panel case



Add second pair of insert units

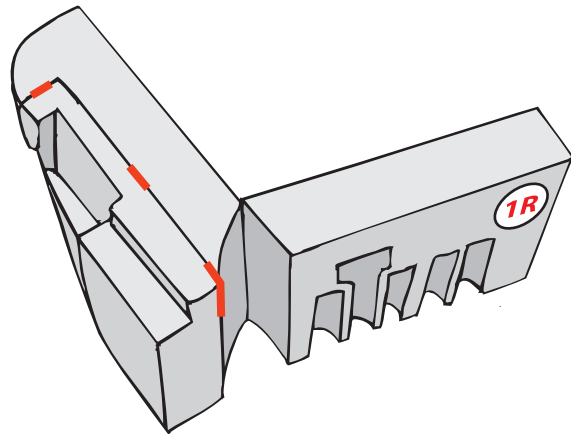


Place base units (feet towards you)

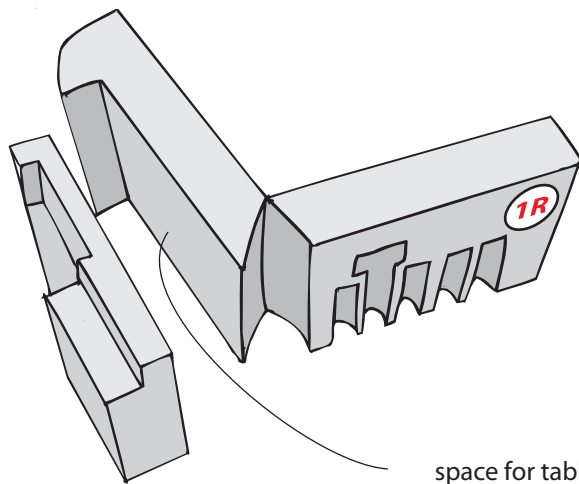


Close insert units

Cut-out of insert **1R** to pack table-top (optional)



cut-out



space for table-top

