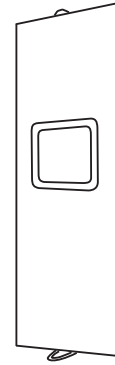
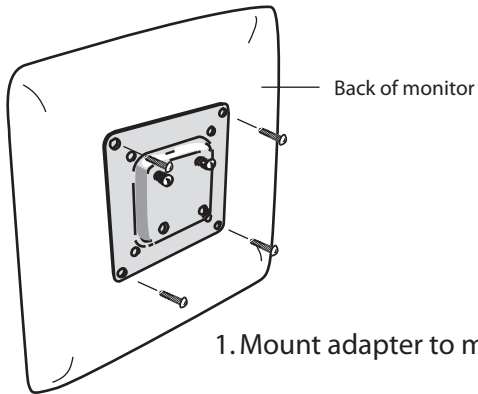


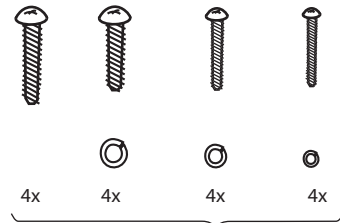
Expand LinkWall - monitor holder



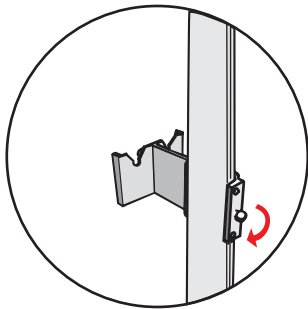
Monitor maximum weight: 4kg



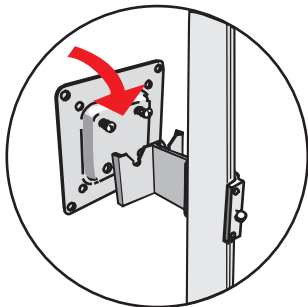
1. Mount adapter to monitor



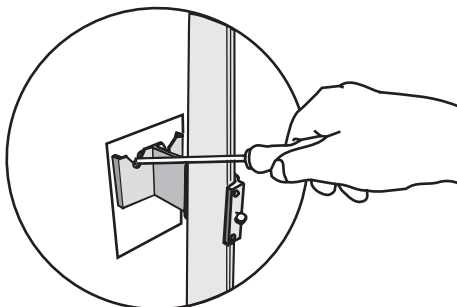
Alternative VESA standards
75 or 100



2. Fix adapter hook to pole



3. Hook on monitor



4. Secure screws from behind

